

## Raindance

**Raindance S 240 Air 1jet overhead shower EcoSmart 9 l/min with ceiling connector 100 mm**

Surfaces: **chrome** Article Number: **27463000**

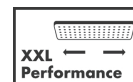


### Description

#### product features

- shower head size: 240 mm
- spray type: RainAir
- flow rate RainAir spray (at 0.3 MPa): 9 l/min
- fully chrome-plated spray disc
- material spray disc: metal
- ceiling connection length: 100 mm
- installation type: ceiling
- connection thread G 1/2
- connection dimension: DN15
- suitable for continuous flow water heaters with an output of 18 kW
- WRAS 1105310

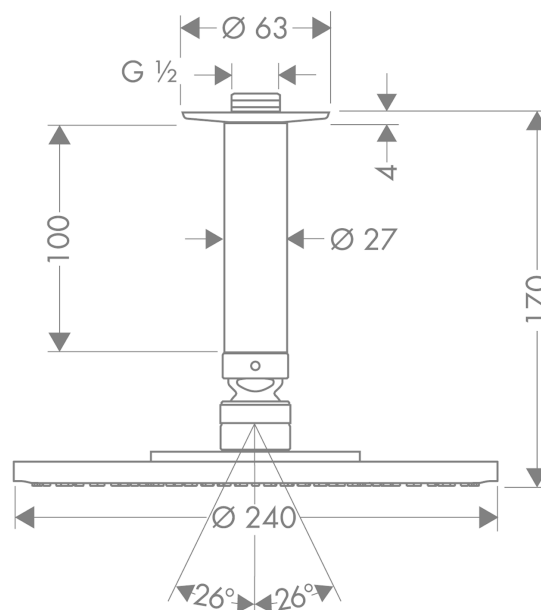
### Technology



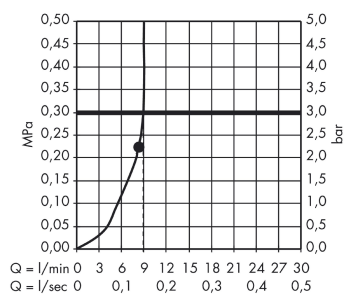
### Product image



### Scale drawing



### Flowchart



The consumption was measured in combination with the appropriate fittings (thermostat/mixer/in-wall valve) to reflect actual application in practice.

## Raindance

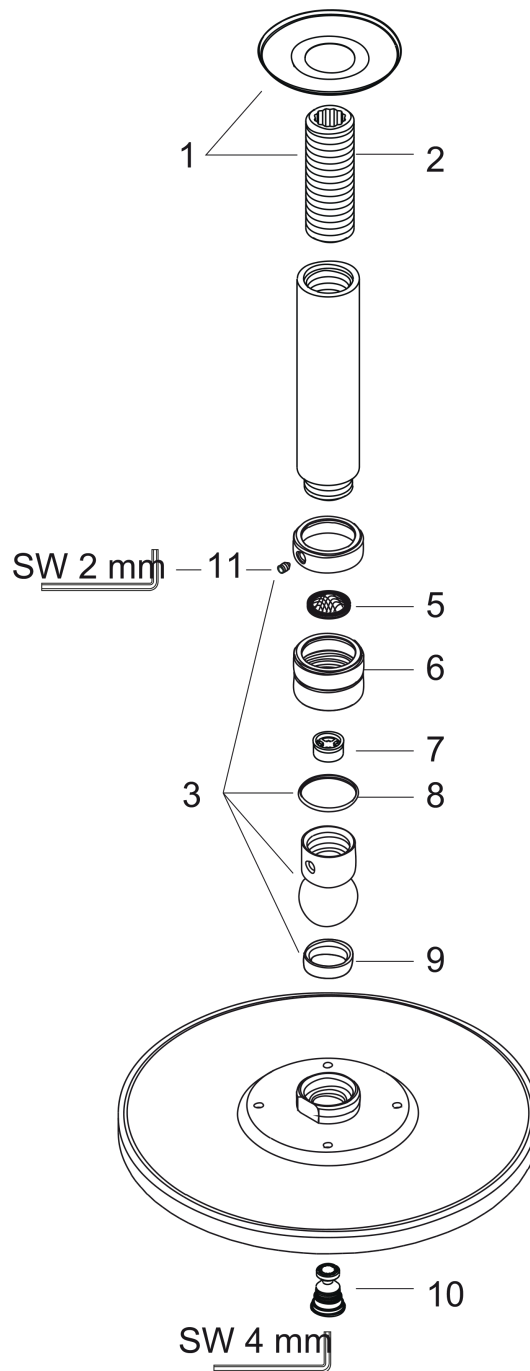
Raindance S 240 Air 1jet overhead shower EcoSmart 9 l/min with ceiling connector 100 mm

Surfaces: **chrome** Article Number: **27463000**



### Exploded Drawing

Year of production: >01/11



## Raindance

Raindance S 240 Air 1jet overhead shower EcoSmart 9 l/min with ceiling connector 100 mm

Surfaces: **chrome** Article Number: **27463000**



### Spare part list

Year of production: >01/11

Pos.	Description	Article Number	PC	PU
1	shower arm	27479000	0	1
2	connecting thread	95188000	8	1
3	ball joint	98941000	9	1
4	lock washer	98942000	6	1
5	filter packing	94246000	1	1
6	nut	97958000	2	1
7	flow limiter (9 l/min)	95659000	3	1
8	lever collar	97536000	2	1
9	seal	97606000	2	1
10	air jet (Eco)	95795000	8	1
11	hollow set screw M4x6	97767000	1	1
a	non return valve	95699000	5	1