

Croma Select E

Croma Select E 180 2jet Showerpipe

Surfaces: **white/chrome** Article Number: **27256400**



Description

product features

- overhead shower Croma Select E 180 2jet
- shower head size: 180 mm x 180 mm
- overhead shower angle adjustable
- spray type: Rain, IntenseRain
- convenient diversion via Select button
- flow rate IntenseRain spray (at 0.3 MPa): 16 l/min
- flow rate Rain spray (at 0.3 MPa): 16 l/min
- operating pressure: min. 1,5 bar / max. 10 bar
- shower arm length: 400 mm
- swivel shower arm
- thermostat Ecostat Comfort
- safety lock at 40° C
- adjustable hot water limitation
- outlets controlled via turning handle
- installation type: exposed installation
- connection dimension DN15
- connection thread G ½
- centre distance 150 mm ± 12 mm
- height-adjustable hand shower holder
- scope of supply: wall bar spacer (grey)

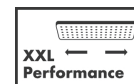
consists of

- Isiflex shower hose 1.60 m (#28276XXX)
- Croma Select E 180 2jet overhead shower (#26524XXX)
- Croma Select E Multi hand shower (#26810XXX)

Optional Accessoires

- Wall bar spacer (#98681XXX)

Technology



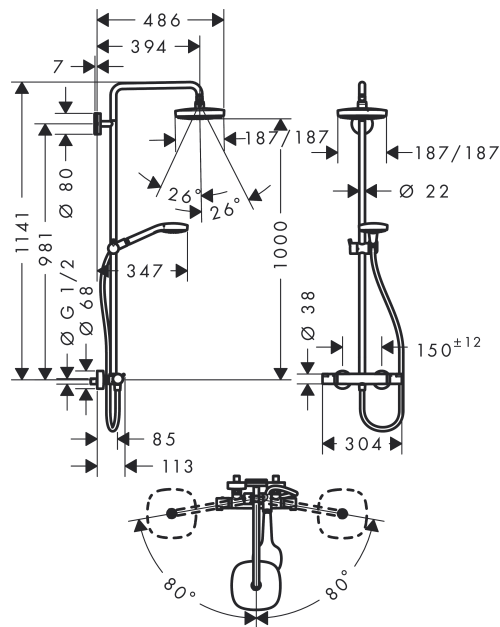
Croma Select E
Croma Select E 180 2jet Showerpipe
 Surfaces: **white/chrome** Article Number: **27256400**



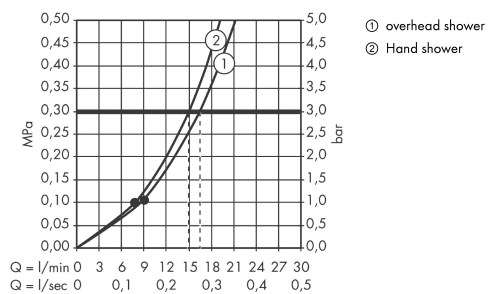
Product image



Scale drawing



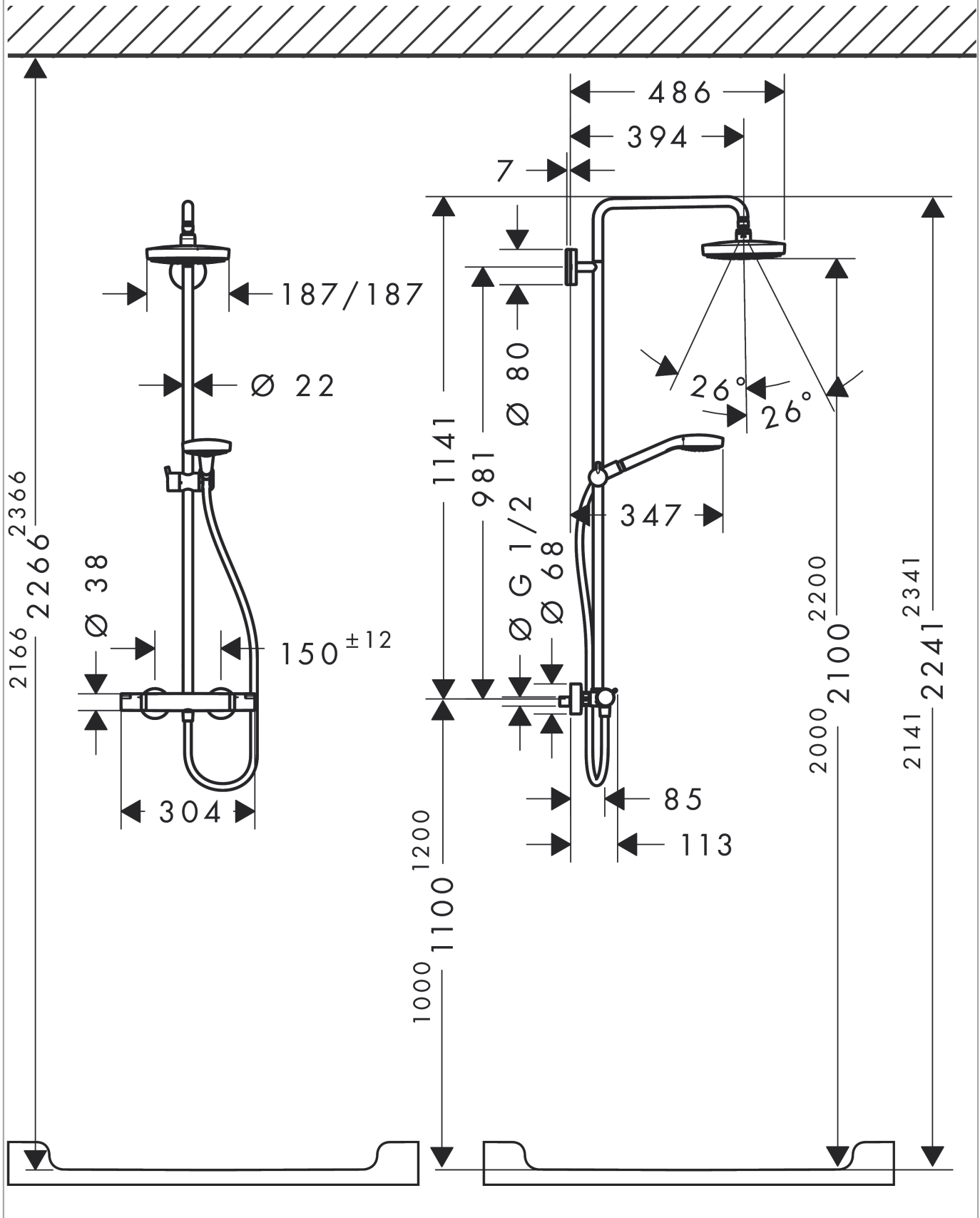
Flowchart



Croma Select E
Croma Select E 180 2jet Showerpipe
 Surfaces: **white/chrome** Article Number: **27256400**



Installation examples



Croma Select E

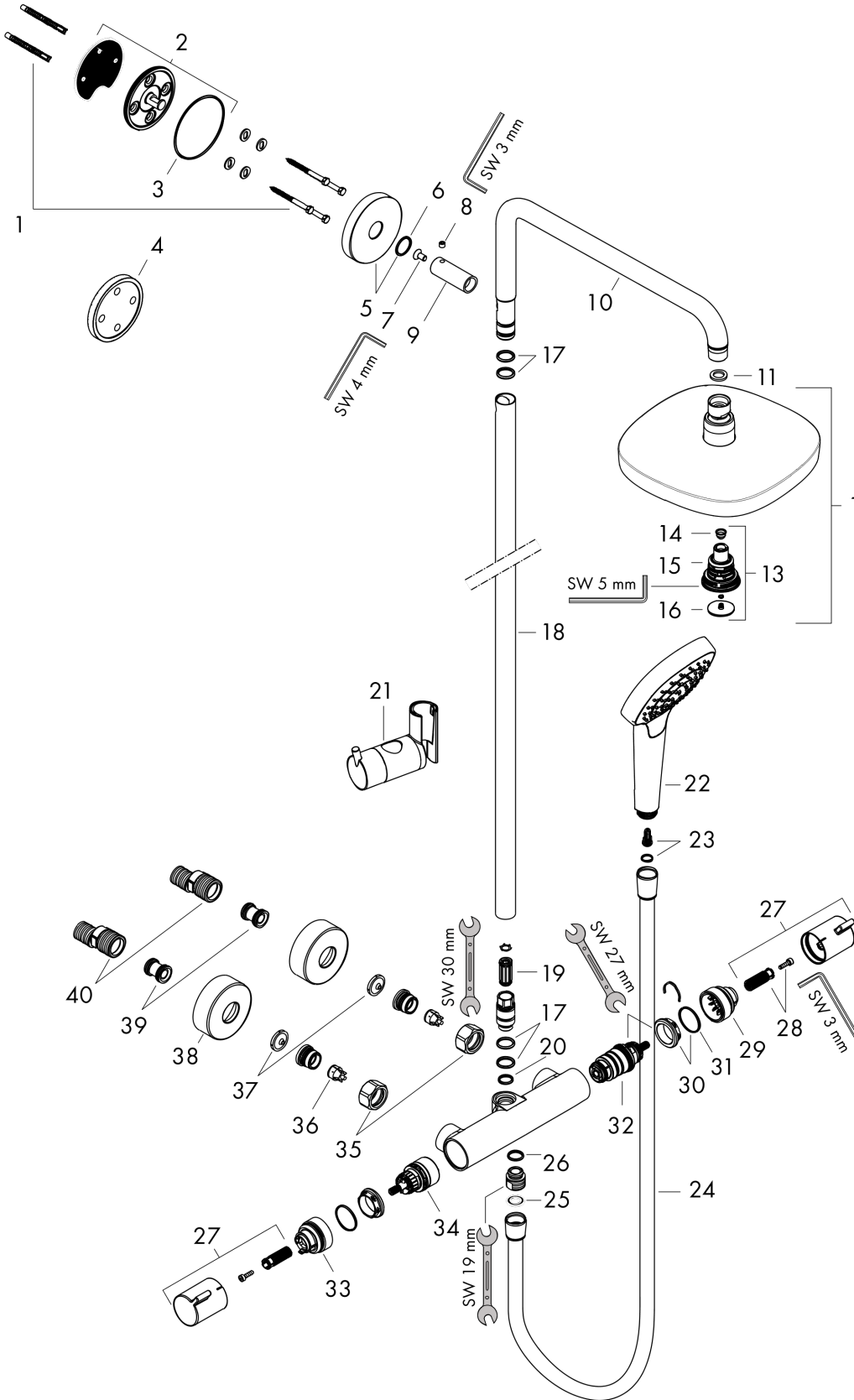
Croma Select E 180 2jet Showerpipe

Surfaces: **white/chrome** Article Number: **27256400**



Exploded Drawing

Year of production: >10/14



Croma Select E
Croma Select E 180 2jet Showerpipe

Surfaces: **white/chrome** Article Number: **27256400**



Spare part list

Year of production: >10/14

Pos.	Description	Article Number	PC	PU
1	mounting set	98716000	5	1
2	wall flange	95687000	9	1
3	O-ring 72x2	98395000	1	1
4	tile-matching-disk	98681000	6	1
5	escutcheon Ø 80 mm	95691000	5	1
6	O-ring 20x2	98165000	1	1
7	screw	92137000	2	1
8	hollow set screw M6x5	98447000	1	1
9	sleeve	92166000	9	1
10	shower arm	92348000	15	1
11	flat seal	97674000	1	1
12	head shower	26524400	0	1
13	selector assy	98343000	12	1
14	filter	97735000	1	1
15	cover	98344000	7	1
16	O-ring 3x1	98384000	1	1
17	O-ring 15x2,5	98131000	1	1
18	pipe 973 mm	92468000	15	1
19	noise reduction	95009000	3	1
20	O-ring 12x2,25	98382000	1	1
21	support, assy	97651000	13	1
22	-	26810400	0	1
23	filter insert	97708000	2	1
24	shower hose Isiflex'B 1,60 m	28276000	0	1
25	seal	98058000	1	1
26	O-ring 14x2	98129000	1	1
27	handle	95836000	8	1
28	handle fixing set	95843000	3	1
29	safety set	95839000	6	1
30	nut	98913000	6	1
31	O-ring 26x1,5	98390000	1	1
32	thermostat cartridge	98282000	14	1
33	stop ring for flow control	95927000	8	1
34	shut off unit with selector	98283000	12	1
35	set of nuts	96157000	8	1
36	non return valve	96737000	8	1
37	filter packing	96922000	3	1
38	escutcheon Ø 68 mm	96467000	6	1
39	noise reduction	96429000	2	1
40	set of S-unions	94140000	10	1