

Axor Starck

Axor Starck 240 1jet plate overhead shower

Surfaces: **chrome** Article Number: **28494000**



Description

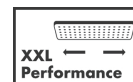
product features

- shower head size: 240 mm
- spray type: RainAir
- flow rate RainAir spray (at 0.3 MPa): 18 l/min
- fully chrome-plated spray disc
- material spray disc: metal
- installation type: ceiling or wall
- connection thread G ½
- connection dimension: DN15
- suitable for continuous flow water heaters with an output of 18 kW
- WRAS 1112319

Optional Accessoires

- Ceiling connector 100 mm (#27479XXX)
- Shower arm 389 mm (#27413XXX)

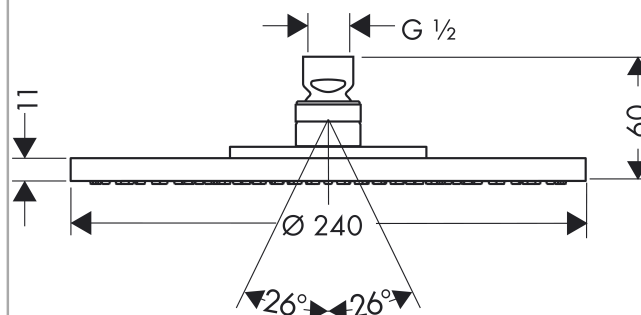
Technology



Product image



Scale drawing

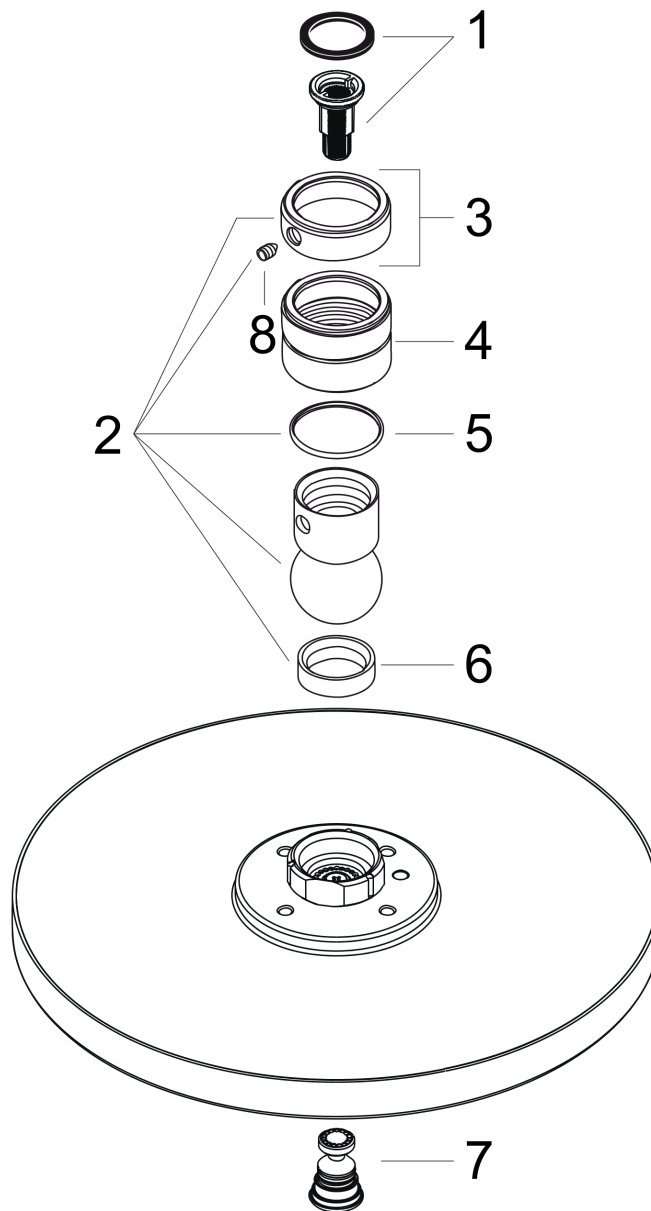


Axor Starck
Axor Starck 240 1jet plate overhead shower
Surfaces: **chrome** Article Number: **28494000**



Exploded Drawing

Year of production: >07/11



Axor Starck
Axor Starck 240 1jet plate overhead shower
 Surfaces: **chrome** Article Number: **28494000**



Spare part list

Year of production: >07/11

Pos.	Description	Article Number	PC	PU
1	filter insert	97708000	2	1
2	ball joint	98941000	9	1
3	lock washer	98942000	6	1
4	nut	97958000	2	1
5	lever collar	97536000	2	1
6	seal	97606000	2	1
7	air jet	95794000	8	1
8	hollow set screw M4x6	97767000	1	1
a	non return valve	95699000	5	1