

## Croma Select S

### Croma Select S Multi hand shower

Surfaces: **white/chrome** Article Number: **26800400**



#### Description

##### product features

- shower head size: 110 mm
- convenient diversion via Select button
- spray type: SoftRain, IntenseRain, Massage spray
- maximum flow rate (at 0.3 MPa): 16 l/min
- with internal water conduction
- rinseable dirt filter
- connection thread G ½
- connection dimension: DN15
- suitable for continuous flow water heaters
- ACS 15 ACC NY 032

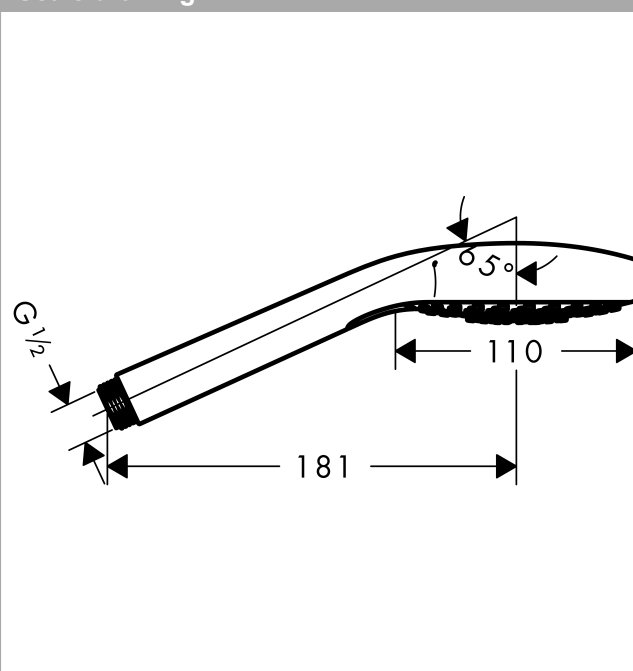
#### Technology



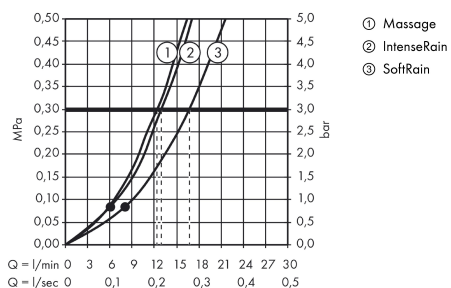
#### Product image



#### Scale drawing



#### Flowchart



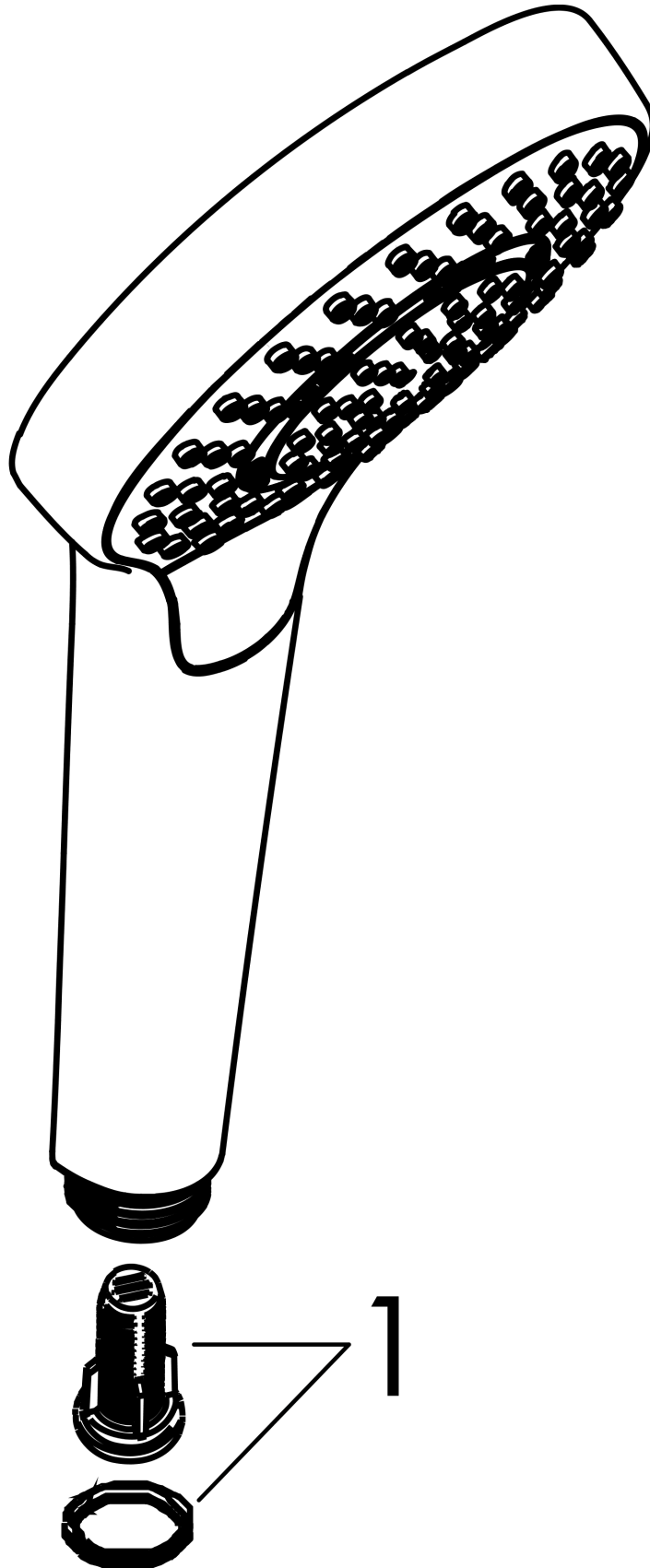
The consumption was measured in combination with the appropriate fittings (thermostat/mixer/in-wall valve) to reflect actual application in practice.

**Croma Select S**  
**Croma Select S Multi hand shower**  
Surfaces: **white/chrome** Article Number: **26800400**



## Exploded Drawing

Year of production: &gt;10/14



**Croma Select S**  
**Croma Select S Multi hand shower**  
Surfaces: **white/chrome** Article Number: **26800400**



## Spare part list

Year of production: &gt;10/14

Pos.	Description	Article Number	PC	PU
1	filter insert	97708000	2	1