

Axor Showers/Front

Basic set for Axor LampShower 1jet with shower arm designed by Nendo and Axor 240 2jet overhead shower with shower arm designed by Front

Surfaces: n.a. Article Number: **26909180**



Description

product features

- TÜV certified
- sound-decoupled installation
- connection for power supply by empty tube
- the basic set is required in case of insufficient quality and stability of the wall structure
- connection dimension: G 1/2
- TUEV B 14 04 14237 078
- ACS 11 ACS LY 006
- ACS 11 ACC LY 006

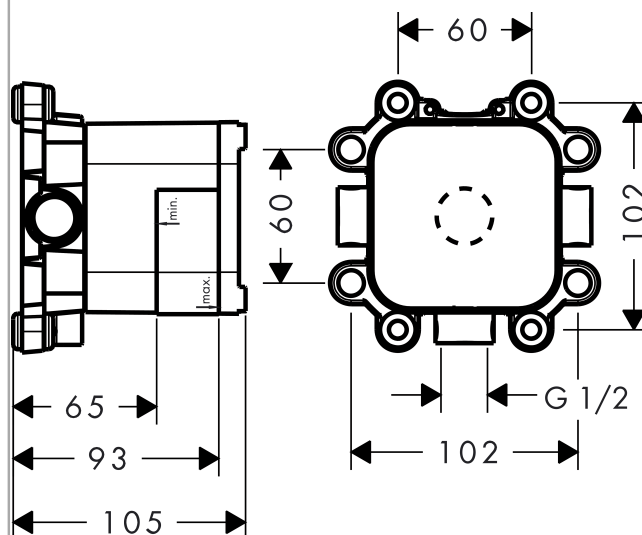
Certificates



Product image



Scale drawing



Axor Showers/Front

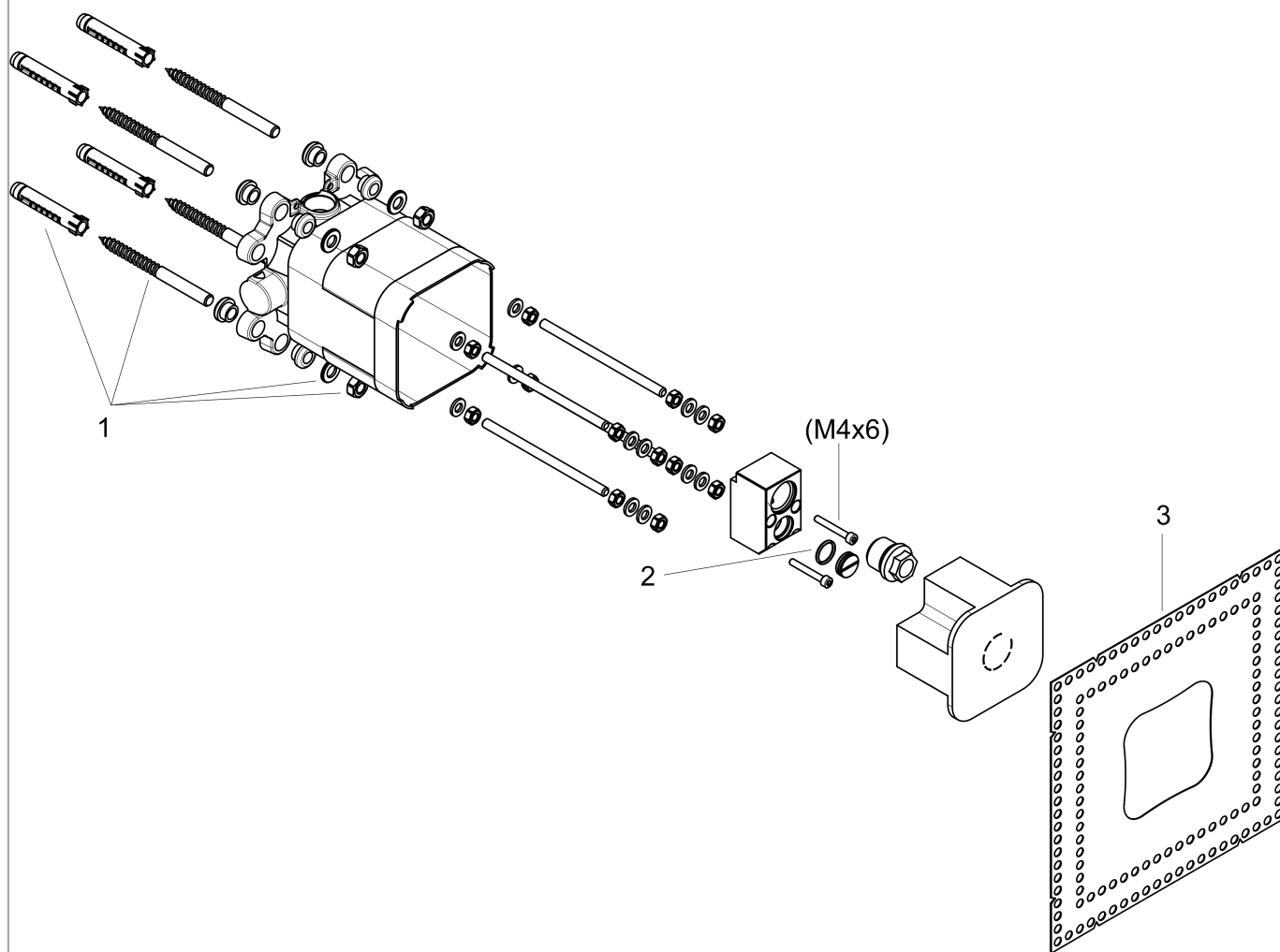
Basic set for Axor LampShower 1jet with shower arm designed by Nendo and Axor 240 2jet overhead shower with shower arm designed by Front

Surfaces: n.a. Article Number: 26909180



Exploded Drawing

Year of production: >11/13



Axor Showers/Front

Basic set for Axor LampShower 1jet with shower arm designed by Nendo and Axor 240 2jet overhead shower with shower arm designed by Front

Surfaces: n.a. Article Number: **26909180**



Spare part list

Year of production: >11/13

| Pos. | Description | Article Number | PC | PU |
|------|---------------|----------------|----|----|
| 1 | mounting kit | 96343000 | 6 | 1 |
| 2 | O-ring 13x1,5 | 98475000 | 1 | 1 |
| 3 | sealing foil | 95833000 | 8 | 1 |