

## Axor Urquiola

### 3-hole rim mounted bath mixer

Surfaces: **chrome** Article Number: **11436000**



#### Description

##### product features

- projection 198 mm
- with plate
- connection type: basic set
- normal spray
- flow rate: 25 l/min
- ceramic valves hot/ cold 90°
- temperature limitation not adjustable
- no integrated shower support
- connection dimension: DN15
- scope of supply: handles, bath filler

##### Mandatory Accessoires

- Basic set for 3-hole rim mounted bath mixer (#13233XXX)
- Mounting plate (#39449XXX)

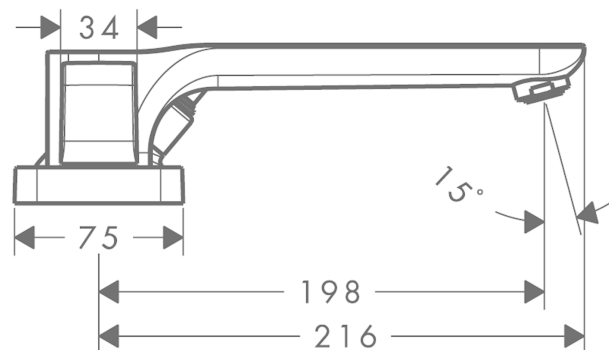
#### Technology



#### Product image



#### Scale drawing



## Axor Urquiola

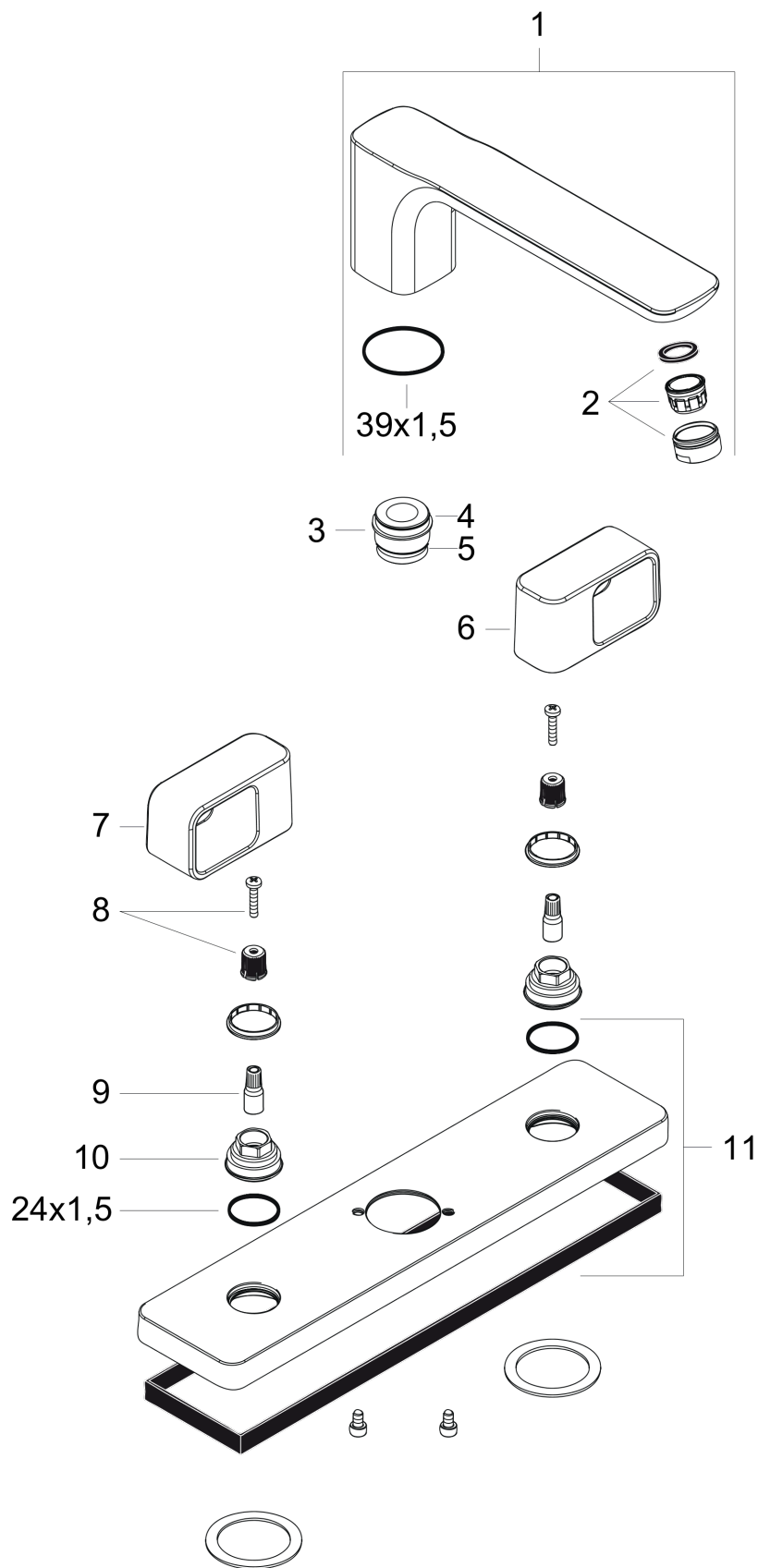
### 3-hole rim mounted bath mixer

Surfaces: **chrome** Article Number: **11436000**



#### Exploded Drawing

Year of production: >04/10



## Axor Urquiola

### 3-hole rim mounted bath mixer

Surfaces: **chrome** Article Number: **11436000**



#### Spare part list

Year of production: >04/10

Pos.	Description	Article Number	PC	PU
1	spout cpl.	95613000	20	1
2	aerator M24x1 (30 l/min)	96512000	5	1
3	adapter for spout	88512000	5	1
4	O-ring 21x2,5	98211000	1	1
5	O-Ring 23x2,5	98183000	1	1
6	handle for cold water	11498000	16	1
7	handle for hot water	11497000	16	1
8	handle fixing set	98932000	5	1
9	adapter for handle	95615000	7	1
10	nut	95610000	8	1
11	escutcheon	95619000	19	1