

## Axor Urquiola

Washbasin 625 x 399 mm wall-mounted

Surfaces: **white** Article Number: **11302000**



### Description

#### product features

- wall mounted
- only in conjunction with basin mixers without pull rod
- mineral cast with gelcoat
- CE
- TÜV certified
- TÜV B 10 09 14237 043
- TÜV B11 10 14237 060

#### Mandatory Accessoires

- HG mounting kit Axor basin wall mounted (#95678XXX)
- Sink Drain (#50001USA)

#### Optional Accessoires

- Non-closing waste set for washbasins (#50001XXX)
- Flowstar design trap set (#52120XXX)
- Axor Urquiola Wall-Mounted Single-Handle Faucet Trim (#11026USA)
- Axor Urquiola Wall-Mounted Widespread Faucet Trim with Base Plate (#11043USA)

### Design awards

**DESIGN PLUS**  
Senior Product Jury



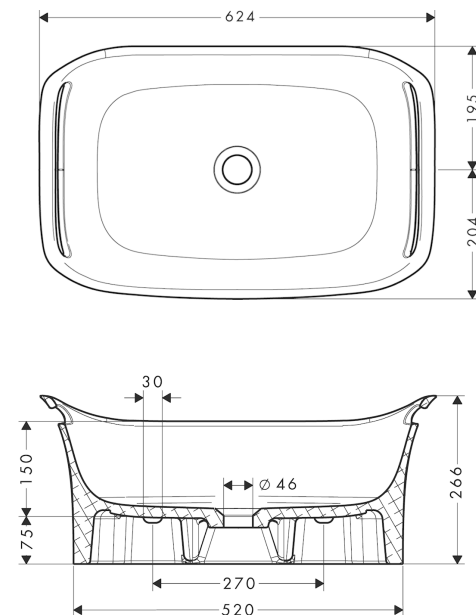
### Certificates



### Product image



### Scale drawing

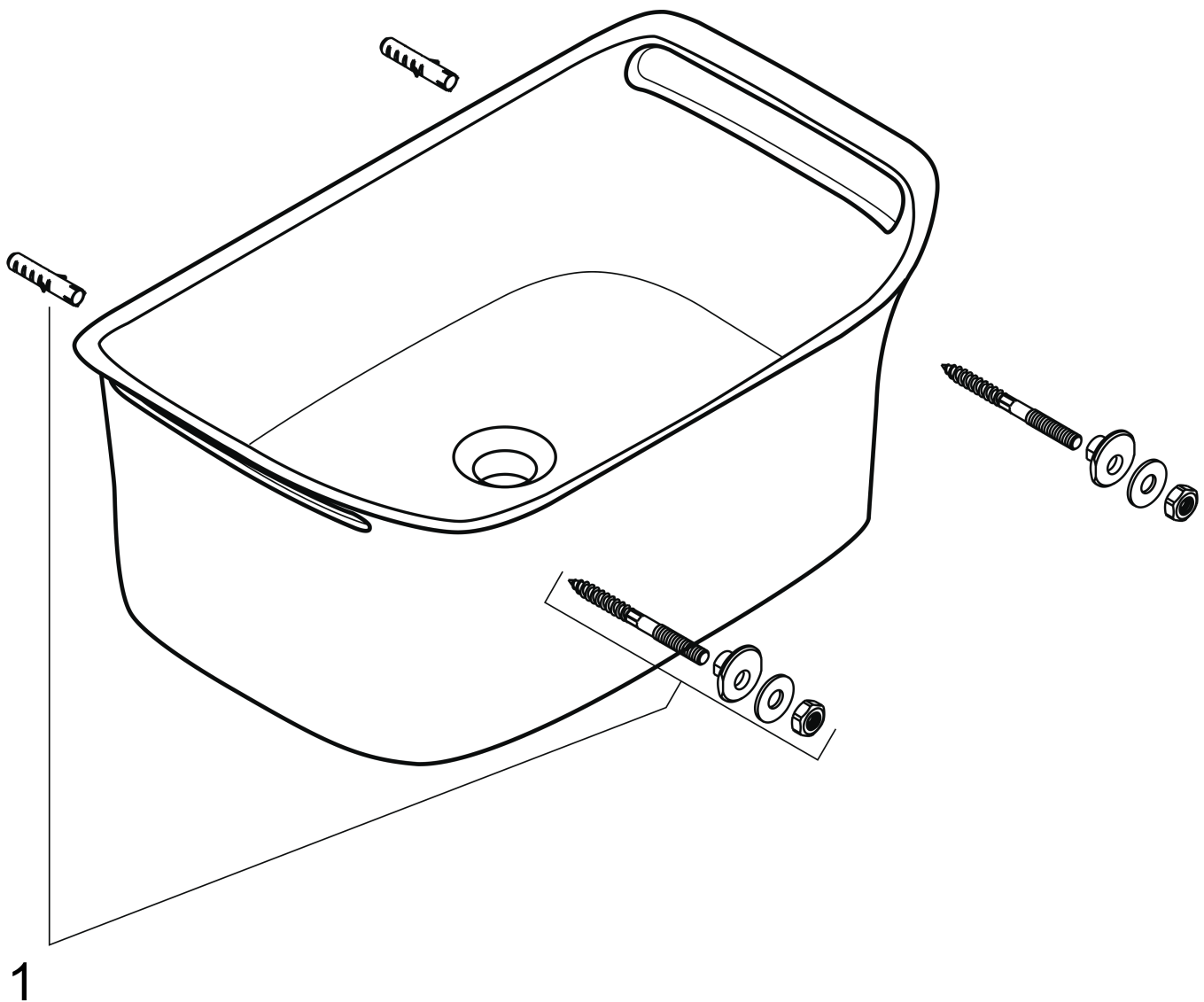


**Axor Urquiola**  
**Washbasin 625 x 399 mm wall-mounted**  
Surfaces: **white**    Article Number: **11302000**



## Exploded Drawing

Year of production: >04/09



**Axor Urquiola**  
**Washbasin 625 x 399 mm wall-mounted**  
 Surfaces: **white**    Article Number: **11302000**



## Spare part list

Year of production: >04/09

Pos.	Description	Article Number	PC	PU
1	mounting kit	95678000	10	1
a	service set	98682000	9	1